

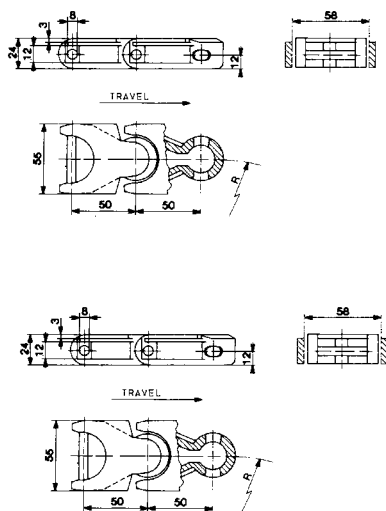
PLASTIC SLATBAND CHAINS

Multiflex / Cardanic Chain

A 1700



A 1701

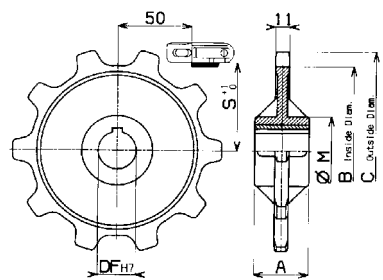


Chain material	Acetal, WRB
Pin material	Stainless Steel hardenend
Pin diameter	8.0mm
Back flex radius	38mm
Standard length	60 Pitches (10 feet-3.048mm)

Chain ref	Material	Width		Average yield load N	Weight kg/m	Backflex radius (min.)	Sideflex radius (min.)
		mm	inches				
LFC / 009	LF Acetal	55.0	2.17	2670	1.25	38	140
LFC / 009 / WRB	Wear resistant black	55.0	2.17	2670	1.25	38	140
LFC / 010	LF Acetal	55.0	2.17	2670	1.30	38	140
LFC / 010 / WRB	Wear resistant black	55.0	2.17	2670	1.30	38	140

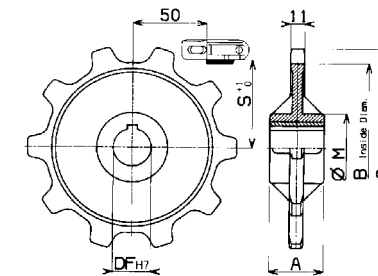
SPROCKETS

SOLID AND SPLIT A1700 - 01 SPROCKETS



Sprocket type	No of teeth	Bore	Pitch diam. B	Outside diam. C	Width	Chain height S	Hub diam.
		mm					
SPK / 064 / 25	8	25	106.0	133.0	50.0	53.0	
SPK / 064 / 30	8	30					
SPK / 064 / 35	8	35					
SPK / 064 / 40	8	40					
SPK / 064 / 45	8	45	106.0	133.0	55.0	53.0	
SS - SPK / 064 / 25	8	25					
SS - SPK / 064 / 30	8	30					
SS - SPK / 064 / 35	8	35					
SS - SPK / 064 / 40	8	40	139.0	165.0	50.0	69.0	
SS - SPK / 064 / 45	8	45					
SPK / 065 / 25	10	25					
SPK / 065 / 30	10	30					
SPK / 065 / 35	10	35	139.0	165.0	55.0	69.0	
SPK / 065 / 40	10	40					
SPK / 065 / 45	10	45					
SS - SPK / 065 / 25	10	25					
SS - SPK / 065 / 30	10	30	139.0	165.0	55.0	69.0	
SS - SPK / 065 / 35	10	35					
SS - SPK / 065 / 40	10	40					
SS - SPK / 065 / 45	10	45					

SOLID AND SPLIT A1700 - 01 IDLER SPROCKET



Sprocket type	No of teeth	Bore	Pitch diam. B	Outside diam. C	Width	Chain height S	Hub diam.
		mm					
SPK / IDL / 064 / 25	8	25	106.0	133.0	50.0	53	
SPK / IDL / 064 / 30	8	30					
SPK / IDL / 064 / 35	8	35					
SPK / IDL / 064 / 40	8	40					
SPK / IDL / 064 / 45	8	45	106.0	133.0	55.0	53	
SS - SPK / IDL / 064 / 25	8	25					
SS - SPK / IDL / 064 / 30	8	30					
SS - SPK / IDL / 064 / 35	8	35					
SS - SPK / IDL / 064 / 40	8	40	139.0	165.0	50.0	69	
SS - SPK / IDL / 064 / 45	8	45					
SPK / IDL / 065 / 25	10	25					
SPK / IDL / 065 / 30	10	30					
SPK / IDL / 065 / 35	10	35	139.0	165.0	55.0	69	
SPK / IDL / 065 / 40	10	40					
SPK / IDL / 065 / 45	10	45					
SS - SPK / IDL / 065 / 25	10	25					
SS - SPK / IDL / 065 / 30	10	30	139.0	165.0	55.0	69	
SS - SPK / IDL / 065 / 35	10	35					
SS - SPK / IDL / 065 / 40	10	40					
SS - SPK / IDL / 065 / 45	10	45					