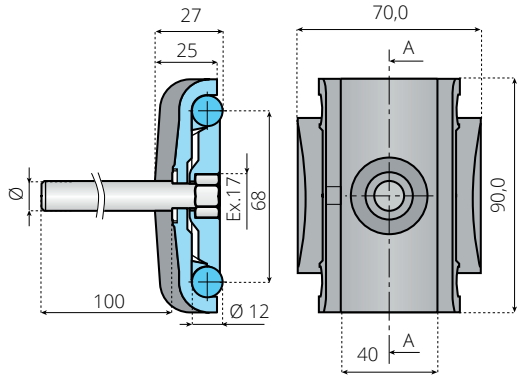


# SIDE GUIDE CLAMPS FOR ROUND BAR



FOR BRACKETS, GO TO PAGES K1-K5

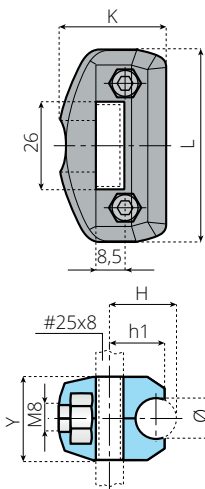
## DOUBLE CLAMP FOR ROUND BAR

CLAMP WITHOUT ROD	CLAMP WITH Ø 12 ROD	Ø 12 ST-STEEL ROD
<b>CODE THEN DESCRIPTION</b>		
CN-DCL-J00003 DCL-10/12RB-D12	J00003 DCL-10/12RB-D12-R95	CN-PIN-J0000 R95L-D12

Ø 10-12 mm

**MATERIAL:** CLAMP IN REINFORCED POLYAMIDE BOLT, NUT AND ROD IN STAINLESS STEEL AISI 304.

**USE:** ROUND PROFILE GUIDES 10-12 mm.



FOR BRACKETS, GO TO PAGES K1-K5

## PLASTIC SINGLE CLAMPS FOR ROUND BAR - WITH ROD

FOR GUIDE Ø	L	K	Y	H	h1	CLAMP WITH ROD
						CODE THEN DESCRIPTION
10 & 12	60	42	30	18,5	16	J00004 SCL-10/12RB-D12-R95
				21	19	

## PLASTIC SINGLE CLAMPS FOR ROUND BAR - WITHOUT ROD

FOR GUIDE Ø	L	K	Y	H	h1	CLAMP WITHOUT ROD
						CODE THEN DESCRIPTION
10 & 12	60	42	30	18,5	16	CN-J00004 SCL-10/12RB-D12
				21	19	

**MATERIAL:** CLAMP IN REINFORCED POLYAMIDE, BOLT IN STAINLESS STEEL, NUT IN NICKEL PLATED BRASS.  
**SUPPLY:** ASSEMBLED.



MATERIALS



TABLE OF CONTENTS



BACK TO SIDE GUIDE SOLUTIONS INDEX