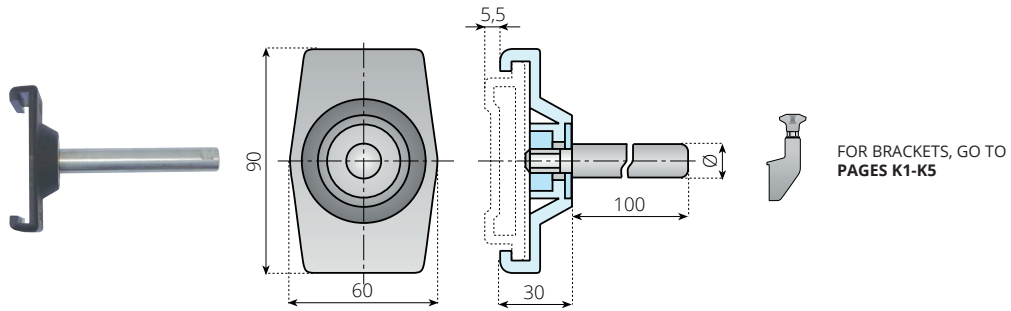


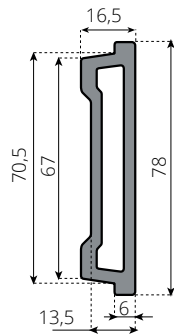
SIDE GUIDE CLAMPS FOR HOLLOW DOG BONE PROFILE



CLAMP WITH ROD

MATERIAL: CLAMP IN REINFORCED POLYAMIDE, BOLT AND ROD IN STAINLESS STEEL.

CLAMP WITHOUT ROD	CLAMP WITH Ø 12 ROD	Ø 12 ST-STEEL ROD
CODE THEN DESCRIPTION		
CN-HDBCL-J00005 HDBCL-D12	J00005 HDBCL-D12-R95	CN-PIN-J0000-00002 HDB-R95L-D12



MATERIAL: POLYETHYLENE PE 500.

MATERIAL	CODE THEN DESCRIPTION	
PE-500 BLACK	W001 WS-HDB-78L16W-B-3M	3M



MATERIALS



TABLE OF CONTENTS



BACK TO SIDE GUIDE SOLUTIONS INDEX