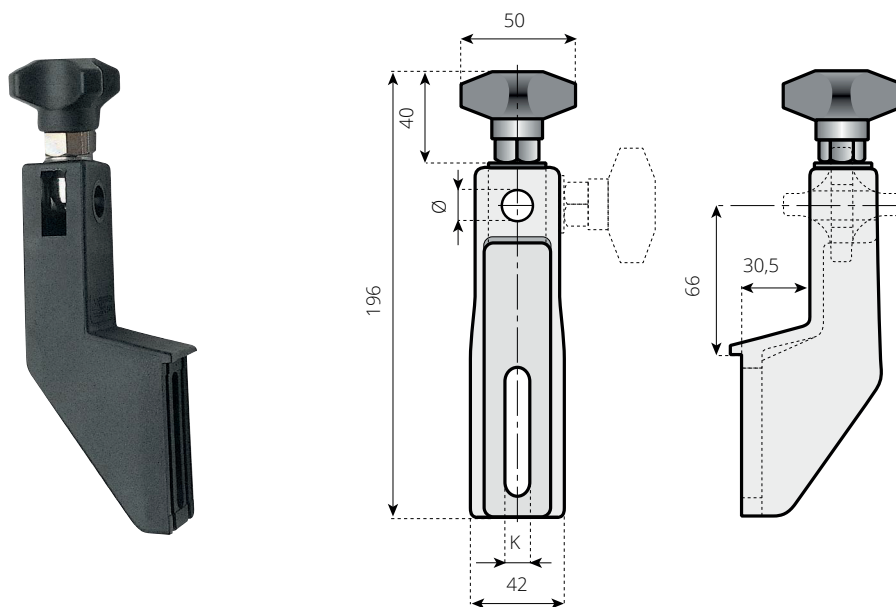




# K0001 SMALL SIDE GUIDE BRACKET SOLUTION





## MATERIAL

- REINFORCED POLYAMIDE, EYEBOLT AND WASHER IN STAINLESS STEEL AISI 304, KNOB IN POLYAMIDE WITH NICKEL PLATED BRASS INSERT.
- NOTE: MAX RECOMMENDED TIGHTENING TORQUE 4 KGM.

	FULL BRACKET WITH STARGRIP	
	SLOT K	Ø 12 CODE THEN DESCRIPTION
	10,5	K00001-00001 SMALL GUIDE BRACKET COMPLETE

	BRACKET WITHOUT STARGRIP	
	SLOT K	Ø 12 CODE THEN DESCRIPTION
	10,5	K00000-SB-42W-196L SMALL BRACKET BODY ONLY

	EYEBOLT	
	Ø 12	
	CODE THEN DESCRIPTION	
	K00000-EBM10D12 M10 EYEBOLT-12mm BAR	

	STARGRIP	
	Ø 12	
	CODE THEN DESCRIPTION	
	K00000-SGM10 M10-STARGRIP	

