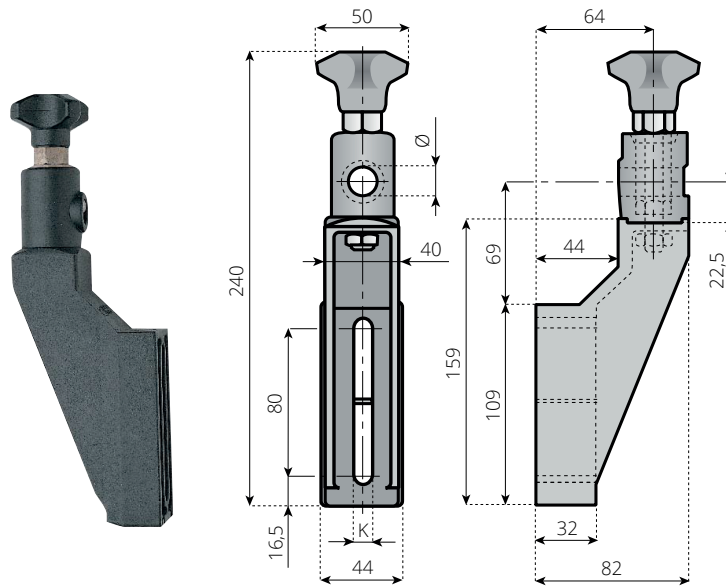




# K00002 LARGE SIDE GUIDE BRACKET SOLUTION





## MATERIAL


- REINFORCED POLYAMIDE, EYEBOLT AND WASHER IN STAINLESS STEEL AISI 304, KNOB IN POLYAMIDE WITH NICKEL PLATED BRASS INSERT.
- NOTE: MAX RECOMMENDED TIGHTENING TORQUE 4 KGM.

	FULL BRACKET WITH STARGRIP	
	SLOT K	Ø 12 CODE THEN DESCRIPTION
	10,5	K00002-00001 LARGE GUIDE BRACKET COMPLETE

	BRACKET WITHOUT STARGRIP	
	SLOT K	Ø 12 CODE THEN DESCRIPTION
	10,5	K00000-LB-44W-240L LARGE BRACKET BODY ONLY

	EYEBOLT	
	Ø 12 CODE THEN DESCRIPTION	
	K00000-EBM10D12 M10 EYEBOLT-12mm BAR	

	STARGRIP	
	Ø 12 CODE THEN DESCRIPTION	
	K00000-SGM10 M10-STARGRIP	

	LARGE GUIDE BRACKET SPACER	
	Ø 12 CODE THEN DESCRIPTION	
	K00000-LB-SP12 LARGE GUIDE BRACKET SPACER-12mm	



MATERIALS



TABLE OF CONTENTS



BACK TO SIDE GUIDE  
BRACKET SOLUTIONS INDEX