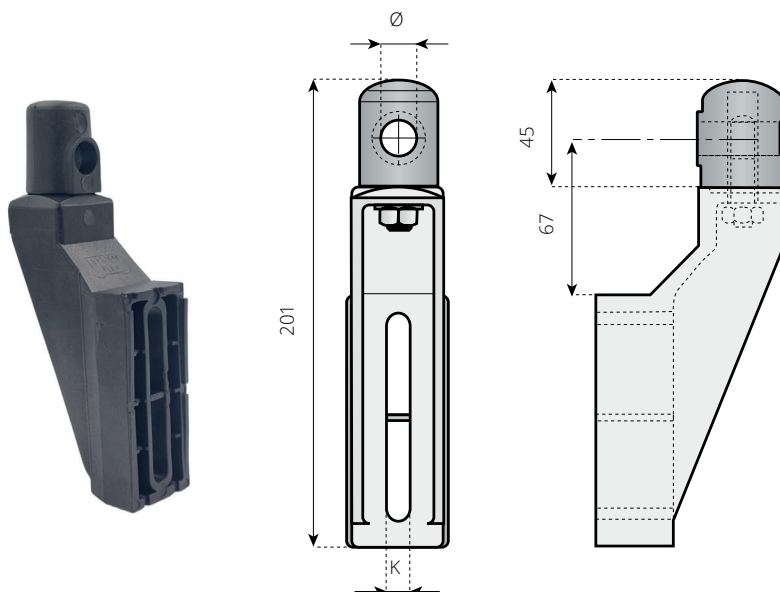


# K00003 SIDE GUIDE BRACKET SOLUTION WITH CLOSED DOME TOP



## MATERIAL

- REINFORCED POLYAMIDE, EYEBOLT AND WASHER IN STAINLESS STEEL AISI 304.
- NOTE: MAX RECOMMENDED TIGHTENING TORQUE 4 KGM.

	<b>FULL BRACKET WITH CLOSED DOME TOP</b>			<b>BRACKET WITHOUT CLOSED DOME TOP</b>	
	<b>SLOT K</b>	<b>Ø 12</b>		<b>SLOT K</b>	<b>Ø 12</b>
		<b>CODE THEN DESCRIPTION</b>		<b>CODE THEN DESCRIPTION</b>	
10,5		K00003-00001 DOME TOP GUIDE BRACKET COMPLETE	10,5	K00000-LB-44W-240L LARGE BRACKET BODY ONLY	
	<b>EYEBOLT</b>			<b>CLOSED DOME TOP WITHOUT EYEBOLT</b>	
		<b>Ø 12</b>			<b>Ø 12</b>
		<b>CODE THEN DESCRIPTION</b>		<b>CODE THEN DESCRIPTION</b>	
		K00000-EBM10D12 M10 EYEBOLT-12mm BAR		K00000-CDT CLOSED DOME TOP ONLY	



MATERIALS



TABLE OF  
CONTENTS



BACK TO SIDE GUIDE  
BRACKET SOLUTIONS INDEX

WWW.IRP.CO.ZA